

# Datasheet Disc Filters

Disc filters are ideal filter fittings for three-in-one filtration ( filtering, washing and drying ) in pharmaceuticals, food, chemical industries and polymers. Disc filters work as a complete unit or in parts.

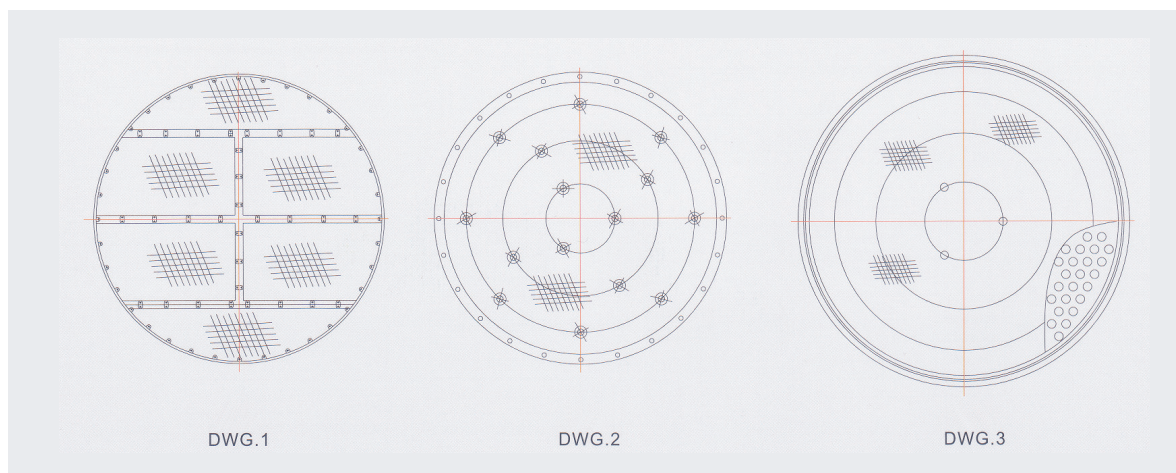
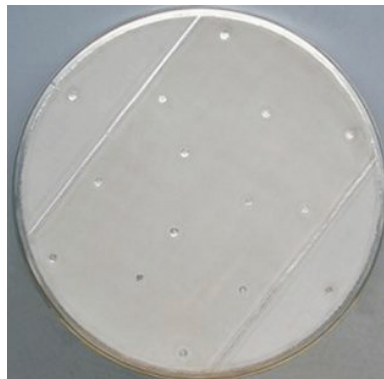
## DISC FILTER SERIES

Disc Filter model: DF-D-R

DF - Disc Filter

D - Diameter

R - Filter Rating



Model	D(mm)	Filter Area (m <sup>2</sup> )	R ( m )	Filter Media	Remarks
DF-600-R	600	0.28	5, 10, 15, 20, 30, 40, 60	Stainless Steel multi-layer sintered wire cloth  Thickness: 1.7 mm 2.5 mm 3.5 mm	DWG 1: Combined Type Filter Sheet and supporting are welded together; then each unit is connected with bolts
DF-800-R	800	0.50			
DF-1000-R	1000	0.79			
DF-1200-R	1200	1.13			DWG 2: Monoblock Type Filter Sheet is connected or welded with bolts; then welded with flange
DF-1600-R	1600	2.01			
DF-1800-R	1800	2.54			
DF-2000-R	2000	3.14			
DF-2300-R	2300	4.15			
DF-2400-R	2400	4.52			
DF-2600-R	2600	5.31			DWG 3: Monoblock Type Filter Sheet directly sintered with perforation sheet; then welded with flange
DF-2750-R	2750	5.94			
DF-2800-R	2800	6.15			
DF-3000-R	3000	7.06			

## Averinox BV

Wateringweg 32, 2031 EJ Haarlem, Netherlands  
 Postbus 2605, 2002 RC Haarlem, Netherlands  
 T +31 (0) 23 5379740 F +31 (0) 23 5389307  
 info@averinox.com www.averinox.com

