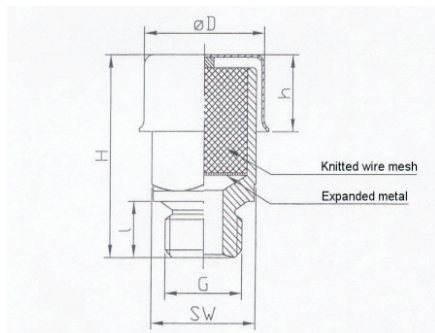


Datasheet Breather Plugs

Averinox delivers different types of breather plugs, which can be applied for acoustic noise suppression. Below you will find common applied types.

Type F-1451

Breather plug F-1451/M (or F-1451/R) is manufactured out of steel provided with a hexagonal bolt, filter made out of knitted wire mesh separated by a grating. Standard furnished with an aluminium colored coating. Stainless steel is also available.



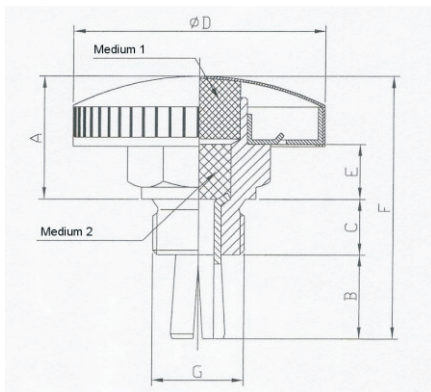
Technical Specification

F-1451		$\varnothing D$	H	l	h	sw
M 8 x 1,25	-	19,5	36	7	15	17
M 8 x 1	R ? "	19,5	36	7	15	17
M10 x 1,5	R 1/4"	21,5	38	9	15	19
M10 x 1	-	21,5	38	9	15	19
M12 x 1,75	-	21,5	38	9	15	19
M12 x 1,5	-	21,5	38	9	15	19
M14 x 1,5	-	25	39	10	15	22
M16 x 1,5	R ? "	25	40	11	15	22
M18 x 1,5	-	25	40	11	15	22
M20 x 1,5	R 1/2"	30	50	13	20	27
M24 x 1,5	R 3/4"	40,5	63	17	23	36
M26 x 1,5	-	40,5	63	17	23	36
M30 x 1,5	R1"	40,5	63	17	23	36
M38 x 1,5	R1 1/4"	52	81	17	32	46
-	R1 1/2 "	72	101,5	19,5	42	65
-	R2"	72	101,5	19,5	42	65

Type F-2033

Breather plug F-2033/M (or F-2033/R) is also manufactured out of steel provided with a hexagonal bolt. It consist of a double filter made out of knitted wire mesh separated by a grating, anti-oil inlet and a waterproof sealing. Standard furnished with an aluminium colored coating. Stainless steel is also available.

More information is available on request.



Technical Specification

F-2033		Ø D	F	A	B	C	E	sw
M14 x 1,5	R 1/4"	34	51	28	14	9	16	19
M16 x 1,5	R ? "	50	51	28	14	9	16	22
M20 x 1,5	R 1/2"	55	56	26	18	12	12	27
M24 x 1,5	R 3/4"	62	76	27	35	14	12	32
M30 x 1,5	R 1"	71	85	33	35	17	16	41

Averinox BV

Wateringweg 32, 2031 EJ Haarlem, Netherlands
 Postbus 2605, 2002 RC Haarlem, Netherlands
 T +31 (0) 23 5379740 F +31 (0) 23 5389307
 info@averinox.com www.averinox.com

